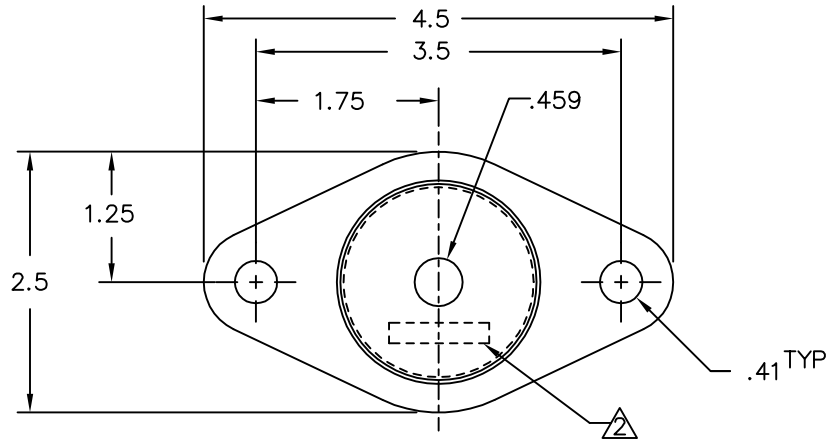
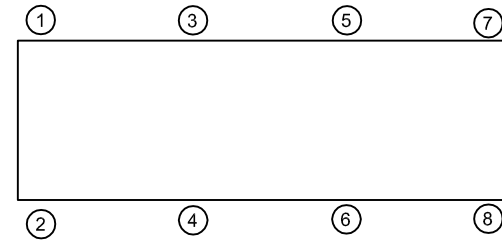
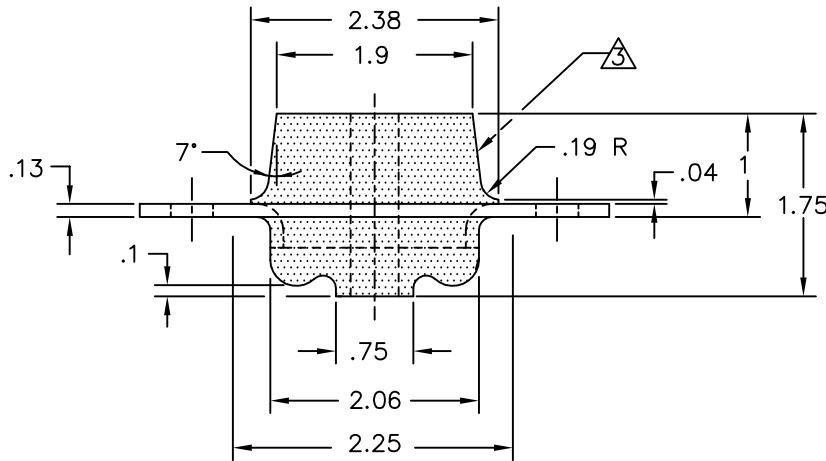


REV.	DESCRIPTION	DATE	BY



PART NO.	MODEL NO.	DUROMETER ± 5	MATERIAL	COLOR
770002-1	LF1-150	40	BR BRG NEO	RED
770002-2	LF1-200	50	BR BRG NEO	GREEN
770002-3	LF1-270	50	BR BRG NEO	YELLOW
770002-4	LF1-350	60	BR BRG NEO	BLUE
770002-5	LF1-500	70	BR BRG NEO	WHITE



NOTES:

1. ALL DIMENSIONS IN INCHES. INTERPRET PER ANSI Y14.
2. MAX. FLASH EXTENSION .063

△ MODEL NO. STAMPING ON SURFACE INDICATED.

△ COLOR CODE "MARK" ON SURFACE INDICATED, ACCEPTABLE ADDITION TO MODEL STAMPING

5. ALL DIMENSIONS ARE FOR REFERENCE, DIMENSIONS SHOWN AS NOMINAL.

ISOLATOR SELECTIONS

LOC 1:	LOC 2:
LOC 3:	LOC 4:
LOC 5:	LOC 6:
LOC 7:	LOC 8:
CUSTOMER EQP'T. TAG:	

NOTE: MATERIAL SHOWN IS FOR (1) SET.

OTHER MATERIALS, COMPOUNDS, OR FINISHES WITH EQUAL OR SUPERIOR PROPERTIES MAY BE SUBSTITUTED AS THEY BECOME AVAILABLE.

CERTIFIED FOR:

JOB NAME: _____
 CUSTOMER : _____
 CUSTOMER P.O.: _____
 SALES ORDER: _____

**MODEL LF1 150-500 LBS.
 SNUBBED ELASTOMERIC ISOLATOR**



THE VMC GROUP
The Power of Together
 Bloomingdale, NJ 07403
 Houston, TX 77041

SCALE:

NONE

SHEET:



DRAWING NO.:

REVISION